

# TremSafe Guardrail S

## *Safety Precautions*

The load limit of the installation surface must be checked to ensure that the surface can tolerate the weight of the TremSafe Guardrail S and installation personnel.

TremSafe Guardrail S is designed to be used only on flat surfaces, free of debris.

- Never use TremSafe Guardrail S on slick surfaces.
- Never set up TremSafe Guardrail S near electrical wires. The rails must be at least five feet from power lines.
- Never use damaged rails or gates. Inspect all product to ensure there is no damage. If any product is damaged, replace with new product.
- Always use a return at the beginning and end of a continuous run or any interruption in a run. The return should be positioned approximately at 90 degree angle to the run.
- Never use TremSafe Guardrail S rails for hoisting.
- Verify that the bottom of the base has four rubber pads. Install new pads if any are missing.
- Bases must be placed at a minimum of 18" away from the leading edge where there is no curb or parapet on leading edge. Bases may be next to the vertical rise if a curb or parapet is present.

## *TremSafe Guardrail S Installation Instructions*

1) Space the bases to the appropriate width and insert the rail into the desired receiving posts on bases.

2) ALWAYS lock the rail to a base with the provided securing pins. Lock the securing pin in place by opening the square wire, inserting the pin through the hole in the base post and visible holes in the rail then close the square wire. If enough securing pins were not provided. DO NOT set up the sections that cannot be secured. Contact Tremco immediately for extra securing pins. REMEMBER: Make sure to lock both Railing Posts.

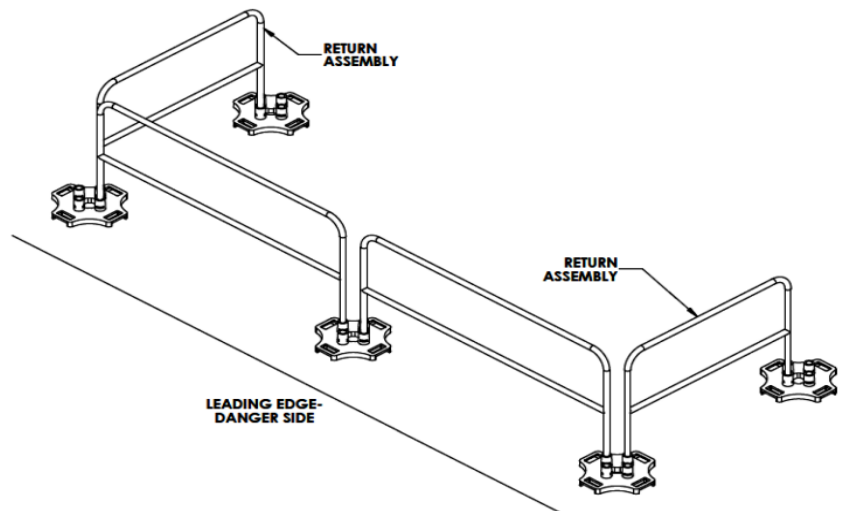
3) When installing metal toe boards, refer to part number 1000286, Installation Manual Toe Board - TremSafe Guardrail S.

# TremSafe Guardrail S

## Returns

RETURNS ASSEMBLIES MUST ALWAYS BE USED AT THE BEGINNING AND END OF A CONTINUOUS RUN OR AT ANY INTERRUPTION IN A CONTINUOUS RUN.

A return assembly consists of: one base, one rail section and two securing pins. Assemble this return to any base that is at the beginning and end of any type of run. The return must be positioned to approximately 90 degrees to the last base.

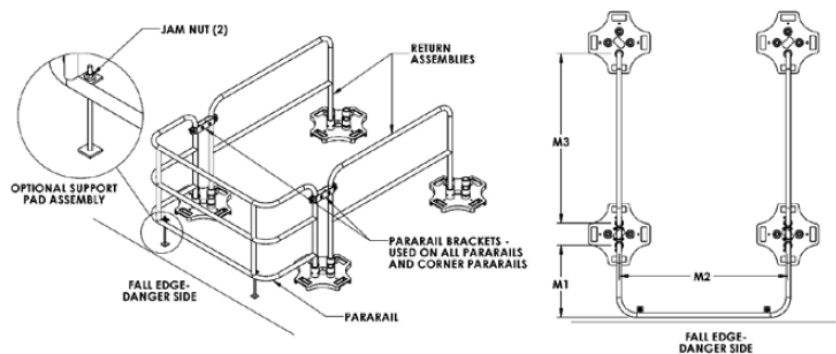


# TremSafe Guardrail S

## TremSafe Guardrail S Parapet Extension Installation

Important to order to prevent serious injury, these set-up procedures must be followed.

- 1) Measure the cantilevered distance (M1)
- 2) Measure the distance from centers of ParaRail legs (M2).
- 3) Measure the distance from the center of the return legs (M3).
- 4) Place the bases on the leading edge first and use the above measurements to determine where each base is to be positioned.
- 5) Always install the returns first. Place the returns into the bases and secure the rails to the bases with the securing pins provided.
- 6) Install the railing into the bases and secure with the pins provided.



Some special applications with short returns, (5' or less) require an optional support pad assembly. The pad typically rests on the parapet or other roof top installed object. Adjust and tighten the jam nuts accordingly as shown. ParaRail Brackets are supplied for all railing and Corner kits.

## Annual Inspection Procedure

- Verify that all uprights are pinned to the bases. Replace any missing pins.
- Inspect rails for damage. Replace any damaged rails



www.tremcoroofing.com  
3735 Green Road  
Beachwood, Ohio 44122  
1.800.852.6013

220 Wicksteed Avenue  
Toronto, Ontario M3H 1G7  
1.800.668.9879

Tremco Roofing and Building  
Maintenance is part of Tremco  
Construction Products Group

Tremco is a US Registered trademark of Tremco CPG Inc.  
The information provided on this data page supersedes all previous data concerning this product and its application.  
The Statements concerning the materials shown are intended solely as a general guide for material usage and are believed to be true and accurate. Since the manner of use is beyond our control, Tremco DOES NOT MAKE NOR DOES IT AUTHORIZE ANY WARRANTY OF MERCHANTABILITY OR FITNESS FOR ANY PURPOSE, OR ANY OTHER WARRANTY, GUARANTEE OR REPRESENTATION, EXPRESSED OR IMPLIED, CONCERNING THIS MATERIAL EXCEPT THAT IT CONFORMS TO TREMCO'S PRODUCT SAMPLE. Buyer and user accept the product under those conditions and assume the risk of any failure, injury of person or property and loss or liability resulting from the handling, storage or use of the product, whether or not it is handled, stored, used in accordance with directions or specifications. UNDER NO CIRCUMSTANCE SHALL TREMCO BE LIABLE FOR CONSEQUENTIAL OR INCIDENTAL DAMAGES ARISING FROM ANY BREACH OF WARRANTY. IN ALL CASES, TREMCO'S LIABILITY IS LIMITED, AT TREMCO'S OPTION, TO THE REPLACEMENT OF GOODS, OR THEIR VALUE, PROVEN TO BE DEFECTIVE IN MANUFACTURING.